

## MODELS

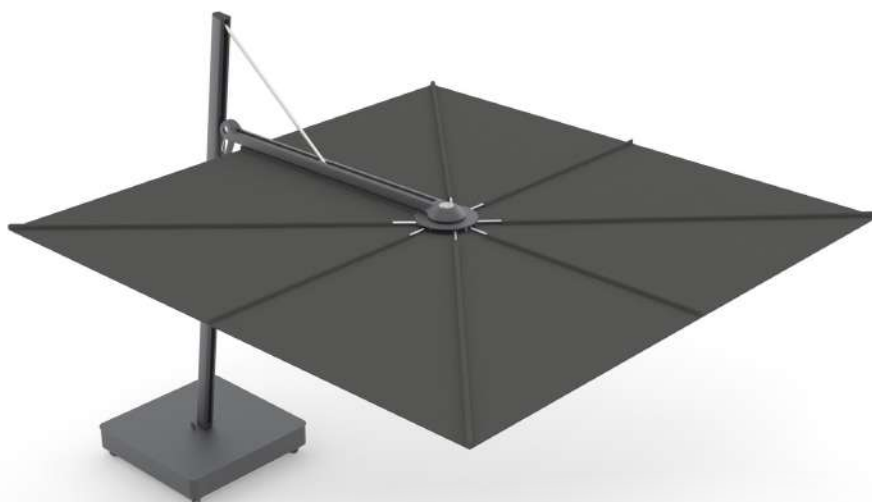
### ARCHITECTURE



Marble

RAL 9018  
Papyrus White

### FULL BLACK



Black

RAL9005  
Black

### SAND

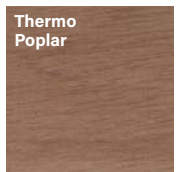
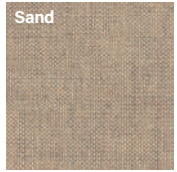


Sand

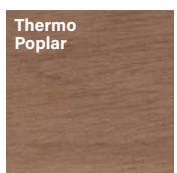
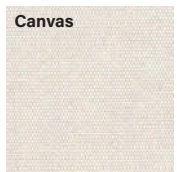
RAL 1013  
Beige  
Limestone

Thermo  
Poplar

SAFARI

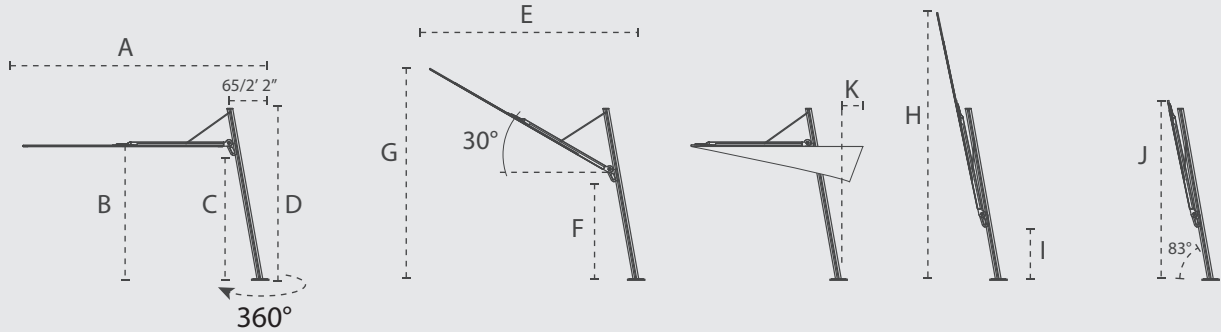


LATTE

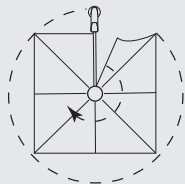


DIMENSIONS

ARCHITECTURE / FULL BLACK / SAND / LATTE / SAFARI

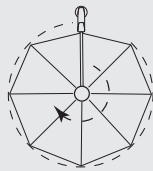


ARCHITECTURE  
FULL BLACK / SAND



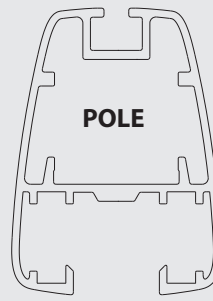
420 cm / 13' 9"

LATTE / SAFARI

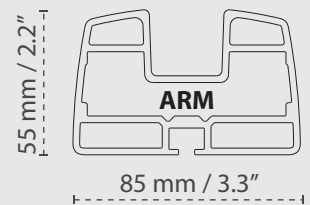


350 cm / 11' 6"

95 mm / 3.7"



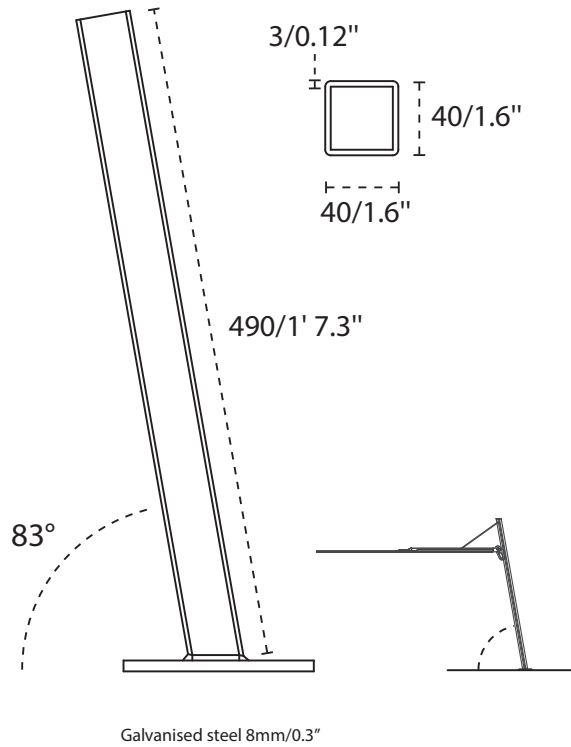
70 mm / 2.8"



	A	B	C	D	E	F	G	H	I	J	K
	cm/ft	cm/ft	cm/ft	cm/ft	cm/ft	cm/ft	cm/ft	cm/ft	cm/ft	cm/ft	cm/ft
☒ 3 x 3 m / 9' 10" x 9' 10"	365/11' 12"	195/6' 5"	185/6' 1"	260/8' 6"	280/9' 2"	128/4' 2"	325/10' 8"	410/13' 5"	77/2' 6"	265/8' 8"	0/0"
☉ 3,5 m / 11' 6"	380/12' 6"	195/6' 5"	185/6' 1"	260/8' 6"	295/9' 8"	128/4' 2"	340/11' 2"	425/13' 11"	77/2' 6"	280/9' 2"	0/0"

## DIMENSIONS / MATERIALS SPIGOT (mm/ft)

ARCHITECTURE / FULL BLACK / SAND / SAFARI / LATTE



## MATERIALS



### FABRIC

Colorum - 100% Acryl 260 gr/m<sup>2</sup>  
Solidum - 100% Acryl 250 gr/m<sup>2</sup>  
More details - see spec sheet Fabrics



### RIBS

Glass fiber ribs - Ø 16mm/0.63"



### POLE

Aluminum,  
powder coated



### HANDLES

Casted aluminum, powder coated  
Stainless steel 316, polished



### ARCHITECTURE / FULL BLACK

Galvanised steel, powder coated  
RAL 9018 Papyrus White and  
RAL 9005 Black



### BASE SAND / SAFARI / LATTE

Galvanised steel, powder coated  
RAL 1013 Limestone Beige, Earth Clay, Grey Beige  
Wooden cover Thermo Poplar

## PACKAGING & TRANSPORT

Versa UX	L (cm)	W (cm)	H (cm)	Weight (kg)	L (ft)	W (ft)	H (ft)	Weight (lbs)
Umbrella box	273	36	33	32	8'11.5"	1'2.2"	1'1"	70
Base L UX Black/Archi	88.8	88.8	15	32 kg	2'11"	2'11"	5.9"	70.4
Base L UX Black / Archi package	90	90	16	33 kg	2'11.4"	2'11.4"	6.3"	72.6
Base L UX Sand / Safari / Latte	88.8	88.8	16.5	32 kg	2'11"	2'11"	6.5"	70.4
Base L UX Sand / Safari / Latte package	90	90	18	33 kg	2'11.4"	2'11.4"	7.1"	72.6

## NICE TO KNOW

- Spare parts available
- Designed and manufactured in Belgium
- Warranty between 10 and 2 years, please consult our warranty policy at [www.umbrosa.com](http://www.umbrosa.com)
- Download owner's manual (QR-code included), also available at [www.umbrosa.com](http://www.umbrosa.com)
- Storage bag included (Colorum Flanelle)
- Wind speeds up to 5 beaufort, 30 km/h, 18 mph when base is permanently fixed
- Tested at TU Delft

## SAFETY STATEMENTS & WARNINGS

- Product is suitable for light wind and/or light rain only.
- Position product in direction of wind as recommended in user manual.
- Do not use product in inclement weather, such as strong wind, thunderstorms, heavy rain or snow, and make sure that the umbrella is closed and stored in advance.
- Never allow the umbrella to flap in the wind. This could cause personal injury, damage to personal property, damage to umbrella and/or umbrella canopy.
- Close product and secure strap when not in use.
- Do not use product without its base or unless attached to building structure, and keep umbrella secured to umbrella base or mount at all times.
- Do not use product over or near harsh chemicals or open flames.
- Place product on stable and level surface.
- Do not allow children to assemble or operate product.
- Do not leave product unattended.
- Store product indoors during winter and extreme weather conditions.
- When adjusting or assembling the umbrella or umbrella base, make sure fingers, toes or any other parts of the body are clear from moving parts. Failing to do so may result in serious injury.
- Only use Umbrosa replacement parts.
- Read owner's manual.
- Any modifications to the product or failure to follow recommended care will void the warranty.
- Wind damage is not covered under our limited warranty.